

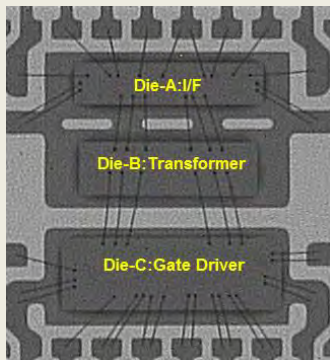


LTEC Corporation

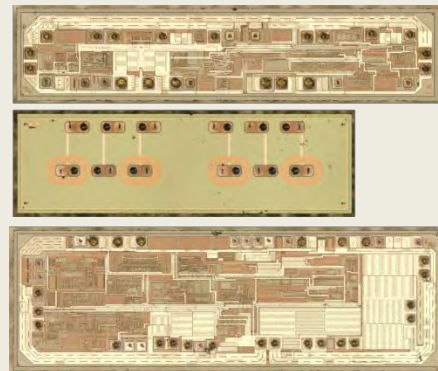
Your most experienced partner in
IP protection

LEARN ABOUT ISOLATED GATE DRIVER IC DETAILS THROUGH TECHNICAL ANALYSIS

LTEC Corporation released its technical analysis report of an IGBT, MOSFET Gate driver IC with 2,500V galvanic isolation (**ROHM BM6104FV-C**). This is a feature-rich product with many useful functions, such as SCP, DESAT, low I/O delay, etc.



X-ray



Die A, B, C image

This hundred-ten page report reveals the process and circuit analysis details of the three integrated circuits found within the package.

Table of Contents

	Page
Device summary	5
Package (OM, X-ray)	6 - 7
Die image (each layer image)	8 - 12
Die cross section	13 - 21
Isolated component structure (Material)	22 - 25
Circuit analysis	26 - 111

Priced to sell at \$4,000.00

Note: The listed report price may not be accurate as it decreases over time.

Please contact us for current report pricing : info@ltecusa.com

14H-0363-1--F

